

CABLE 337 RF: SMA RIGHT ANGLE PLUG + N S/T BULKHEAD JACK W/O-RING RATED TO IP67/68 + RG178 CABLE

SPECIFICATIONS:

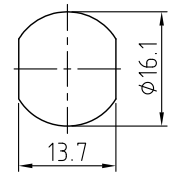
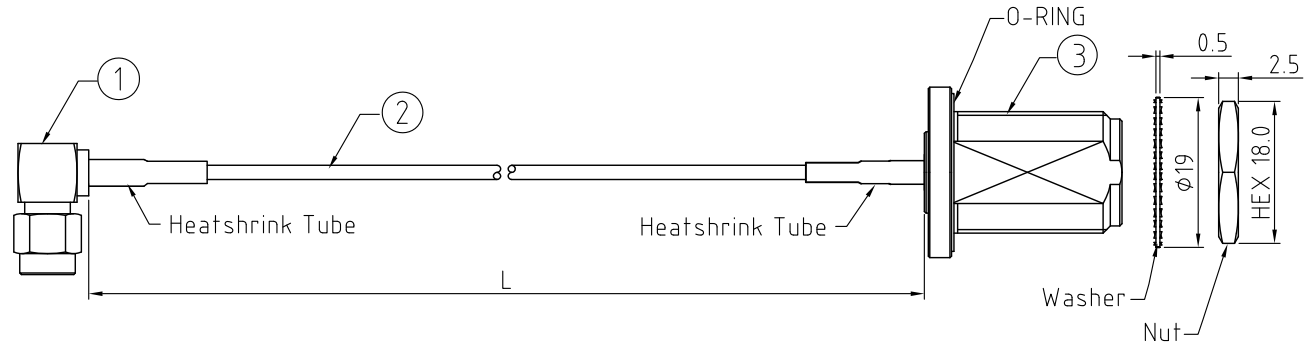
1. SMA RIGHT ANGLE PLUG, P/N: RFCT-SMA025-M78.
2. RG178 COAXIAL CABLE, COLOR: BROWN.
3. N STRAIGHT BULKHEAD JACK WITH O-RING RATED TO IP67/68, P/N: RFCT-N001-F78.

ENVIRONMENTAL:

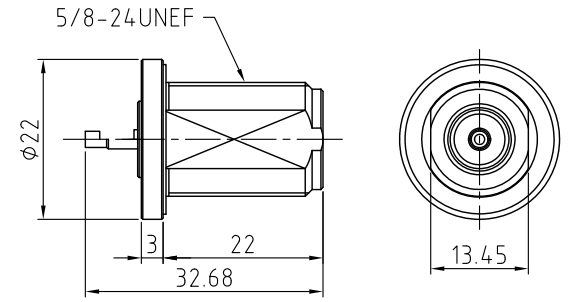
- A. N BULKHEAD CONNECTOR (RFCT-N001-F78) RATED TO THE FOLLOWING SPECIFICATION:
- i. IP6X - DUST TIGHT - NO PARTICLE INGRESS.
 - ii. IPX7 WATERPROOF FOR 30 MINUTES UP TO 1 METER UNDERWATER.
 - iii. IPX8 WATERPROOF FOR 48 HOURS AT 1 METER UNDERWATER.

NOTES:

1. THE ORIENTATION OF CONNECTORS ON DRAWING IS FOR REFERENCE ONLY, IF THE ORDER IS LEFT BLANK THE CONNECTOR WILL NOT HAVE FIXED ORIENTATION.
2. FIXED ORIENTATION IS SUGGESTED FOR CABLE LENGTH 50MM TO 100MM. PLEASE SPECIFY THE FIXED ORIENTATIONS FROM THE ORDER CODE (F1, F2, ETC)
3. CONTACT GRAD CONN IF THE ORIENTATION YOU REQUIRE IS NOT SHOWN.
4. WORKING FREQUENCY RANGE: DC-3GHz



RECOMMENDED N MOUNTING HOLE (TOLERANCE: ±0.07)



N DETAIL DRAWING

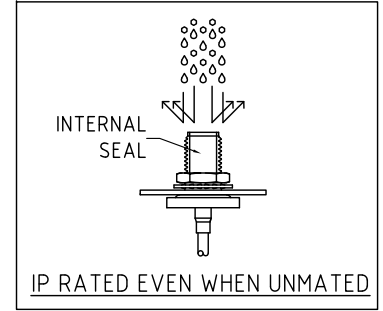
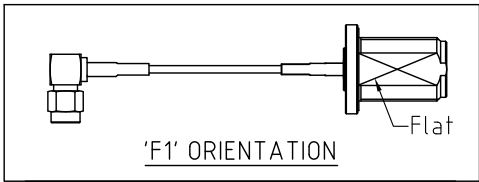
HOW TO ORDER

CABLE 337 RF - XXXX - XX - X - 1 CABLE SIZE:

"L" LENGTH IN MM
 eg: 100MM = 0100
 (MIN. 0050-MAX.2000
 STANDARD = 0100, 0150, 0200)
 Tolerance: 50mm : ±2mm.
 51-200mm: ±5mm.
 201-500mm: ±7mm.
 >500mm: ±10mm.

WASHER AND NUT OPTIONS:
 BLANK = SEPARATELY PACKED (STANDARD)
 A = ASSEMBLED WITH CONNECTOR

ORIENTATION OPTIONS:
 BLANK = DOES NOT HAVE A FIXED ORIENTATION
 F1 = SMA CONNECTOR FACING DOWN (L=50-200MM)
 (SEE NOTES 1, 2, 3 AND DIAGRAMS FOR MORE INFORMATION)



REV. DATE & DRN
 10 27/02/19 - N/W RELEASE
 11 17/03/24 - CC
 ADD IP RATING VIEW

Scale: NTS	THIRD ANGLE	Unstated .X .XX .XXX ANGLES	Tolerances: N/A N/A N/A N/A
Drawn: CC			
App'd: XXX	Title CABLE ASSEMBLY		
Date: 17 MAR. '24	Revision: 1.1	Unit: mm	



IP Rated RF Products www.gradconn.com

THIS DRAWING IS CONFIDENTIAL AND MUST NOT BE COPIED OR DISCLOSED WITHOUT WRITTEN CONSENT

Type: Cable 337 RF
CABLE 337 RF
Drawing Number:
Sheet 1 of 1
Drawing © E and O E